



Vectis iX06/iX16/iX32/iX48 IP Video Network Recorder

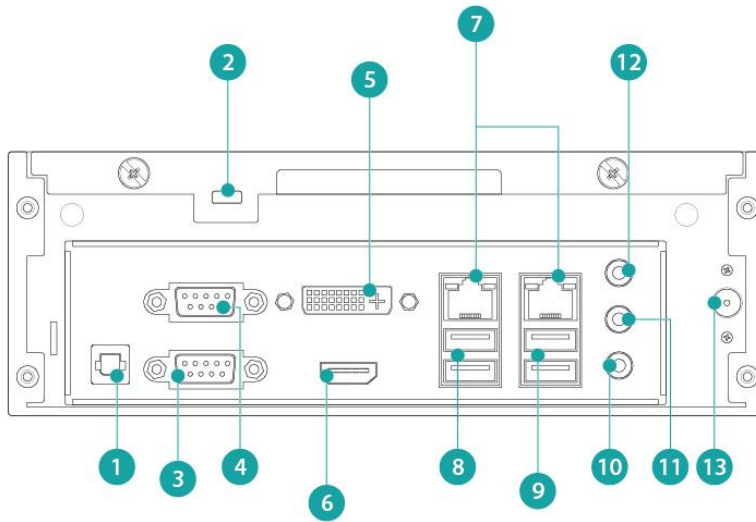


Vectis iX06-1TB
Vectis iX16-4TB
Vectis iX32-8TB
Vectis iX48-18TB

The new Vectis iX NVR Network-Video Recorder, delivers a unique combination of industry leading performance and unrivalled compatibility. Allowing connectivity to more than 1000 camera models using combined ONVIF and SDK compatibility.

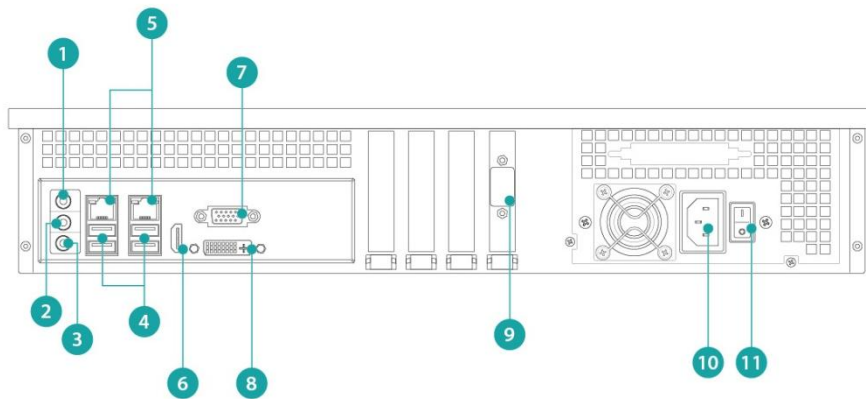
Available in hardware options ranging from 6-48 channels, its very powerful speed and performance enables you to capture greater detail than ever before. Recording full-HD images from up to 48 cameras simultaneously at 25 frames per second and supporting resolutions of up to 20 megapixels.

- Network-based video monitoring and recording for 6/16/32/48 IP cameras
- Ultra High Network performance, IP data throughput of up to 288Mbit/s
- Supports resolution of up to 20 megapixels
- Conforms to ONVIF profile S
- Powerful on-board analytics: motion detection and video analytics including people counting
- Time sector engine for immediate recording and playback
- Common GUI throughout the entire Vectis iX range
- Dual monitor, full-HD real-time display (4 monitors using Vectis iX CMS)
- Optional Text input interface, e.g. to connect ATM (Automatic Teller Machine) or POS (Point of Sales) devices
- Free remote client software Vectis iX96 RAS included
- Robust. Designed for 24/7 permanent operation



- Legend
- 1 S/PDIF Out
 - 2 Kensington Lock
 - 3 COM1 Port (RS232/RS422/RS485)
 - 4 COM2 Port (RS232)
 - 5 Monitor DVI Port
 - 6 Monitor HDMI Port
 - 7 LAN Port
 - 8 USB3.0 Port
 - 9 USB2.0 Port
 - 10 Microphone In
 - 11 Audio / Line-Out
 - 12 Audio / Line-In
 - 13 DC Power In

Vectis iX06 rear view



- Legend
- 1 Audio Line-In
 - 2 Audio Speaker Out
 - 3 Microphone In
 - 4 USB2.0 Port
 - 5 LAN Port
 - 6 Monitor HDMI Port
 - 7 Monitor VGA Port
 - 8 Monitor DVI Port
 - 9 COM1 Port (RS232C)
 - 10 Mains Power In
 - 11 Power Switch

Vectis iX16 / 32 / 48 rear view

Functionalities

- **Support of megapixel recording**
 Vectis iX NVRs support IP camera resolutions of up to 20 megapixels. Megapixel recordings contain more detailed information – useful when using the integrated digital zoom feature either live or in playback.

- **Network-based video monitoring and recording for 6/16/32/48 IP cameras**
 The Vectis iX NVR range supports network-based video monitoring and recording of up to 6/16/32/48 IP cameras. Vectis iX NVR offers recording speeds from 480 -1200fps and internal storage from 1-24TB dependent on the model.

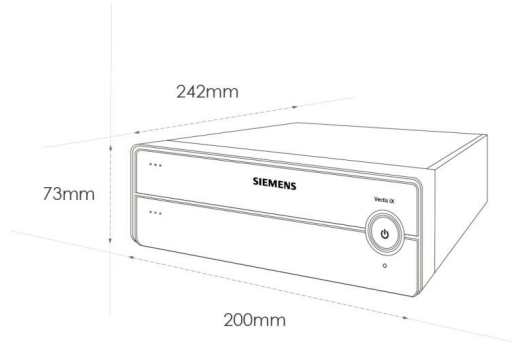
- **Free remote client software**
 The free Vectis iX96 RAS comes with basic viewing functionalities and can be used in conjunction with the Vectis iX range to analyse and view video recordings across a LAN/WAN of up to 96 channels and 3 NVRs.

- **Video Analytics**
 Vectis iX range includes analytic algorithms such as people counting, e-fence, object appear/disappear, motion detection and region of interest. The event based recording reduces the required hard drive usage so only the relevant data is stored.

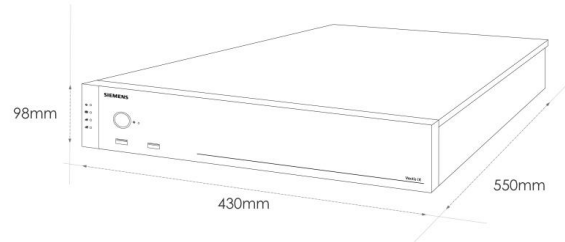
- **Multiple Alarm Notifications**
 Alarm notification by Pop-Up, E-mail and digital I/O triggered by video loss, sensor, HDD crashed, system crashed, abnormal transaction, e-fence, video motion detection. External digital I/O devices supported via ModBus protocol.

- **Full HD real-time display on dual monitors**
 Advanced software features offer powerful performance, video recording and display, including 16 Full-HD images on dual monitors.

■ Dimensions



Vectis iX 06



Vectis iX 16 / 32 / 48

■ Technical data

| Type | Vectis iX06 | Vectis iX16/32/48 |
|----------------------------------|-------------------------------------------------------------------------------------------------------------------------------------------|------------------------------------------------------------------------|
| CPU | Intel® Celeron® G1620 Processor (2.7GHz, 2MB Cache memory) | Intel® Core™ i5-2400 Processor (up to 3.40GHz, 6MB Cache memory) |
| Memory | DDR3-1333 4G | DDR3-1333 4G |
| Operation System (OS) | Windows 7 Embedded (protected by File based write filter FBWF) | |
| Network Protocols | TCP/IP, UDP, HTTP, HTTPS, SMTP, SNMPv3, DNS, DHCP, NTP, ARP, ICMP, FTPc, FTPs, DDNS, RTP (RTCP, RTSP), IGMPv3, UPnP, CIFS, NFS, IEC802.1x | |
| Watchdog | Supports Hardware Watchdog, Software Watchdog | |
| System Update | Supports NVR Software Update | |
| IP Camera License | 6ch | 16ch, 32ch, 48ch |
| Display Performance | D1@480fps / 1.3MP@240fps / 2MP@125fps | D1@1200fps / 1.3MP@780fps / 2MP@425fps |
| Recording Throughput | Max.72Mbit/s (i.e. 3MP/25ips per channel) | Max.288Mbit/s (i.e. 3MP/25ips per channel) |
| Recording Resolution | D1 ~20 Megapixel | |
| Video Codec | H.264 High Profile, MPEG4, M-JPEG, MxPEG | |
| Audio Codec | Two-Way Audio, G. 711, G.726, AAC | |
| Streaming Type | Unicasting, Multicasting | |
| Onvif Supports | Onvif 2.2, Profile-S | |
| Max. Internal Recording Capacity | 2 TB (2x HDDs) | 24 TB (6x HDDs), RAID 0, 1, 5, 6 (option) |
| Hardware | | |
| Lan Port | Gigabit Lan (RJ45) x2 | |
| Ethernet | 10/100/1000M Auto Negotiation | |
| Local Display | HDMI x1, DVI x1 | VGAX1, HDMI x1, DVI x1 |
| Local Display Resolution | 1920x1200 | |
| Hard Disk Drive | SATA supported | |
| Hard Disk Trays (Bays) | Max. 2 HDDs, total 2TB | Max. 6 HDDs, total 24TB |
| Max. Storage per HDD | 1 TB (2.5") | 4 TB (3.5") |
| Included storage capacity | iX06: 1*1TB | iX16: 4 TB, (2* 2 TB) iX32: 8 TB, (4* 2 TB) iX48: 18 TB (6*3 TB) |
| RAID Level | Not supported | RAID 0, 1, 5, 6 (with optional Raid controller board) |
| External Storage support | iSCSI | |
| USB Port | USB 2.0 Front x2, Rear x2 ; USB 3.0 Rear x2 | USB 2.0 Front x2, Rear x4 |
| Communication Port | RS232 x1 ; RS232/422/485 x1 - Rear I/O | RS232 (Header) x1 - On-board I/O |
| Audio Port | Front: MIC-in x1, Headphone x1 ; Rear: MIC-in x1, Line-out x1, Line-in x1 | Rear : MIC-in x1, Line-out x1, Line-in x1 |

| | Vectis iX06 | Vectis iX16/32/48 |
|------------------------------------------------|-------------------------------------------------------------------------------------------------------------------------------------------------------------------------------------------------------------------------------------------------------------------------------------------------------------------------------------------|-------------------------------------------------------------------------------------------------------------------------------|
| Global-Features | | |
| Configurations | Configurations of NVR, Camera, Event, Alarm, Device, Digital I/O, etc. | |
| User Authority | Export Video Clip, PTZ Control, Live View, Playback, Alarm Search, Configuration, Remote System Control, etc. | |
| Recording Mode | Full Time Recording, Recording by Schedule, Event, Alarm, Motion Detection | |
| E-map | Mapping Cameras and DI/DO Points, Map Hyperlink (HTML knowledge required) | |
| PTZ Control | PTZ Control, Preset Point, Patrol, Digital PTZ | |
| Display Pattern | 1, 2, 3, 4, 5, 6, 8, 9, 12, 13, 16, 18, 24, 25, 36, 48, 64 | |
| Viewing Operation | ROI (Region of Interest), Tour | |
| Video Search | Time, Event, Alarm | |
| Synchronous Playback | up to 6ch | up to 16ch |
| Video Playback | Time Slider Control Panel (Forward, Backward, Speed Control, Sync. Playback) | |
| Video Export | Video Export via USB (Supports .avi and .ava Format), Digital Watermark | |
| Intelligent Search (Replay) | Missing Object (Object take away), Foreign Object (Object left behind) | |
| Intelligent Video Analytics (Realtime) | E-fence, Video Motion Detection on all channels People counting 1 dedicated channel only | |
| Event Log | Event logs of System, Cameras, User, etc | |
| Alarm Event / Search | Video Loss, Sensor Triggered, HDD Crashed, System Crashed, Abnormal Transaction, E-fence, Video Motion Detection | |
| Alarm Notification | Pop-up, E-mail, DI/DO, Trigger Recording | |
| Alarm In / Alarm Out | Support of optional external DI/DO modules via Modbus Protocol (Master, Slave) | |
| APP Client | iOS (iPhone, iPad), Android | |
| Client Software | Vectis iX CMS, Vectis iX96 RAS | |
| Supports Client Numbers | 5 CMS links per NVR device. Max. Live Session : 40 Max. playback Session : 1 Max. Mobile Client Streaming (fps): 30 | 5 CMS links per NVR device. Max. Live Session: 112 Max. playback Session: 16 Max. Mobile Client Streaming (fps): 140 |
| POS License | 8 x POS license per NVR included (requires optional POS-Box) | |
| POS Integration | Integration via POS Editor using optional external POS-Box, POS box communicate with NVR via network and with POS machine with DB-9 connector, Y-cable and RS232 protocol. | |
| Live View | Live Viewing with Transaction data | |
| Search / Playback | Time, Item (Keyword), Price with Transaction data and Video | |
| Abnormal Transaction | Alarm Rule (Item, Value), Alarm Popup, Alarm Search | |
| Environmental / Electronic / Mechanic | | |
| Power Voltage | 100~240 Vac, 50-60 Hz | |
| Power Consumption | 30W | 127W |
| Operation Temperature | 0°C ~ 35°C (32°F ~ 95°F) | 0°C ~ 40°C (32°F ~ 104°F) |
| Dimensions | 200(W)x73(H)x242(D)mm (without backside screws) 200(W)x73(H)x253(D)mm (with backside screws) | 430(W)x98(H)x550(D)mm (with bottom feet) 430(W)x90(H)x550(D)mm (without bottom feet) |
| Net Weight | 2.100 kg | 10.700 kg (iX16) ; 12.100 kg (iX32) 13.500 kg (iX48) |
| Chassis color | Silver | Silver |
| Minimum system requirements | | |
| Vectis iX96 RAS (free software for NVR/NVS) | CPU: Pentium Intel Dual Core 2.4GHz or above ; RAM: 2048 MB at least Operation System: Windows XP SP2 / SP3, Windows 7 (32 & 64 bit), Windows 8 Display: Graphic-card nVidia chipset, DirectX3D support, Minimum resolution 1280X1024, recommended resolution 1680X1050.) Free HDD space: 1GB free HDD space or more recommended | |

■ Details for ordering

| Type | Part number | Designation | Weight* |
|----------------------|------------------|-------------------------------------------|-----------|
| Vectis iX06-1TB NVR | S54569-C104-A100 | Vectis iX06-1TB NVR,6ch,H264,Max72Mb/s | 3.620 kg |
| Vectis iX16-4TB NVR | S54569-C105-A100 | Vectis iX16-4TB NVR,16ch,H264,Max288Mb/s | 15.790 kg |
| Vectis iX32-8TB NVR | S54569-C106-A100 | Vectis iX32-8TB NVR,32ch,H264,Max288Mb/s | 17.040 kg |
| Vectis iX48-18TB NVR | S54569-C107-A100 | Vectis iX64-18TB NVR,48ch,H264,Max288Mb/s | 18.200 kg |

* Device incl. packing material, accessories that are included in the delivery, and documentation

Central Management Software Vectis iX CMS

For remote control and display of Vectis iX NVR and Vectis iX NVS, the Vectis iX range includes a performant Central Management software CMS that supports single- and multisite applications. For further details please refer to the separate CMS datasheet.

■ Details for ordering

| Type | Part number | Designation | Weight* |
|------------------|------------------|-----------------------------------|--------------|
| Vectis iX32 CMS | S54569-P106-A100 | Vectis iX32 CMS, Mgmt SW 32ch | Approx. 750g |
| Vectis iX128 CMS | S54569-P107-A100 | Vectis iX128 CMS, Mgmt SW 128ch | Approx. 750g |
| Vectis iXUN CMS | S54569-P108-A100 | Vectis iXUN CMS, Mgmt SW 300ch ** | Approx. 750g |

* Device incl. packing material, accessories that are included in the delivery, and documentation

** Vectis iXUN CMS basically supports unlimited IP channels, but any usage above 300 channels requires mandatory involvement of Siemens or qualified partner Technical support to approve overall system architecture.

Further products and accessories can be found in the Internet: www.siemens.com/securityproducts

The information in this document contains general descriptions of technical options available, which do not always have to be present in individual cases. The required features should therefore be specified in each individual case at the time of closing the contract.

© Siemens AB • Document no. C-300189 • Edition: 07.2014

Siemens AB
Security Products
International Headquarters
Englundavägen 7
SE-171 41 Solna
Tel. +46 8 629 0300
www.siemens.com/securityproducts